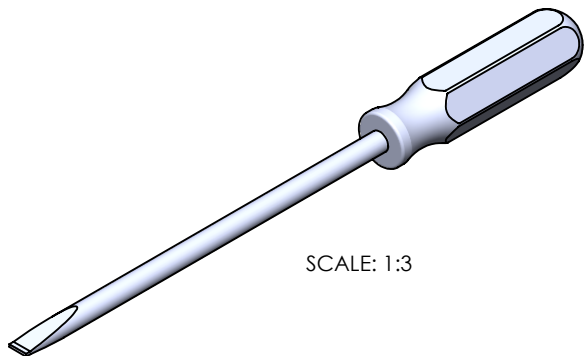
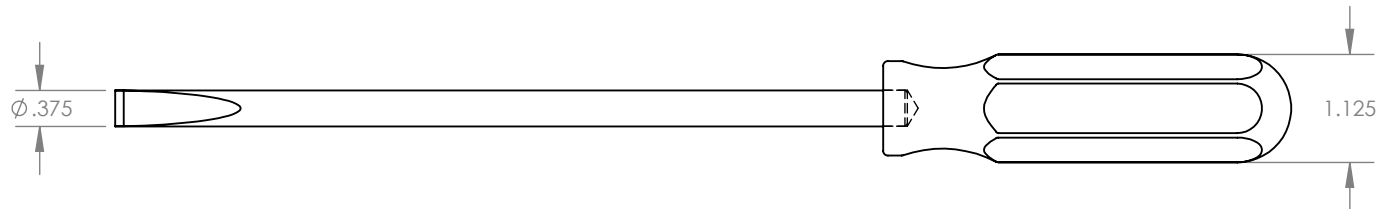


DETAIL A
SCALE 4 : 1



SCALE: 1:3

UNLESS OTHERWISE SPECIFIED: DIMENSIONS ARE IN INCHES				TOLERANCES: X.XX= ±0.13 X.XXX= ±0.015 X.XXXX= -0.0015	
DRAWN	NAME	SIGN	DATE		
APPVD	A.T.		09.11.19		

MATERIAL: 316 NON-MAGNETIC S.S.

THIS DRAWING IS THE PROPERTY OF STERITOOl, INC. ANY REPRODUCTIONS OR MODIFICATIONS OF THIS DRAWING OR ITS CONTENTS WITHOUT THE CONSENT OF STERITOOl, INC. IS PROHIBITED.



TITLE: 3/8" NON-MAGNETIC PARALLEL TIP SCREWDRIVER with STAINLESS STEEL HANDLE

PART NO.	41207SS_316	REV:	A
SCALE: 1:1.5	SHEET 1 OF 1		